



Foundations

Bamboo Flooring



THE FOUNDATIONS BAMBOO STORY

When we set out to develop a line of bamboo flooring, we had tall expectations. Our aim was to develop a flooring line that balanced durability, style, and cost with our high environmental standards. After several years of intensive research, we finally found the product that we know will be right for you. We are pleased to offer you a bamboo flooring option that is manufactured in a state-of-the-art factory, by craftspeople who take pride in the quality of their work, which will provide you with year after year of satisfaction.



WHY USE FOUNDATIONS BAMBOO?

- Bamboo is significantly more renewable than wood flooring options; reaching maturity in 7 years as opposed to 80-120 years.
- All Strand flooring is made with no added urea-formaldehyde binders. All Foundations floors meet stringent European (E1) emissions standards.
- Bamboo is a very durable material and our bamboo strand is almost twice as hard as Red Oak (Janka ball test).
- Our bamboo floor is precision milled with tongue and groove to allow for easy install; installs with nails, glue, or staples over plywood or concrete slab. Learn about our new floating option below.
- Our floors are finished with six-coats of non-toxic, extremely durable UV cured aluminum oxide infused polyurethane that is durable and does not off-gas.

Click Flooring (floating)

Now offering the durability of a solid strand woven bamboo floor in a convenient click together (floating) floor. Ideal for installation over radiant heat systems and concrete subfloors. Foundations Strand Click flooring is the only offering that is warranted over radiant heat. Please follow installation instructions.



*Tongue and groove should not be installed over radiant heat. Damage from such installation is not covered by warranty. These warranties are applicable to the original end-consumer only and are non-transferable.

Strand Flooring Options

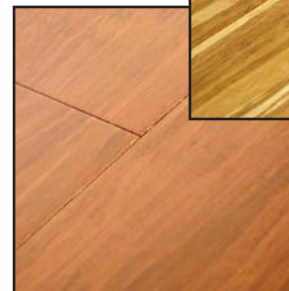
Natural



Carbonized



Tiger



Chestnut



Ebony

Strand Tongue & Groove Flooring

Colors	Code	Dimensions	Installation	SF per Box	Lbs per Box	Edge
Prefinished						
Natural	BBFSN	72 4/5" x 3 4/5" x 9/16"	Nail Staple or Glue	12 pieces/box (22.93 sf)	71.5	4 Side Tongue & Groove, Micro-bevel
Carbonized	BBFSC					
Tiger	BBFST					
Prefinished Stained						
Ebony	BBFSE	72 4/5" x 3 4/5" x 9/16"	Nail Staple or Glue	12 pieces/box (22.93 sf)	71.5	4 Side Tongue & Groove, Micro-bevel
Chestnut	BBFSCH					
Unfinished						
Natural	BBFSNUN	72 4/5" x 3 4/5" x 9/16"	Nail Staple or Glue	12 pieces/box (22.93 sf)	71.5	4 Side Tongue & Groove, Square Edge
Carbonized	BBFSCUN					
Prefinished Click & Lock						
Natural	BBFSNC	72" x 4 2/5" x 9/16"	Click & Lock (Floating)	8 pieces/box (17.64 sf)	53.6	4 Side Click & Lock Mechanism, Micro-bevel
Carbonized	BBFSCC					
Tiger	BBFSTC					
Chestnut	BBFSCHC					
Prefinished Tongue & Groove Solid Strip Flooring						
Horizontal Natural	BBFHNN	72" x 3 4/5" x 5/8"	Nail Staple or Glue	12 pieces/box (23.8 sf)	50.6	4 Side Tongue & Groove, Micro-bevel
Horizontal Carbonized	BBFHNC					
Vertical Natural	BBFVNN					
Vertical Carbonized	BBFVCN					

Solid Strip Options



Vertical Carbonized



Vertical Natural



Horizontal Carbonized

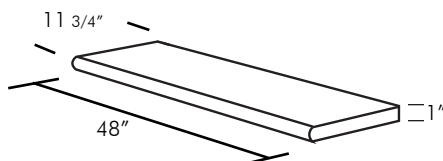


Horizontal Natural

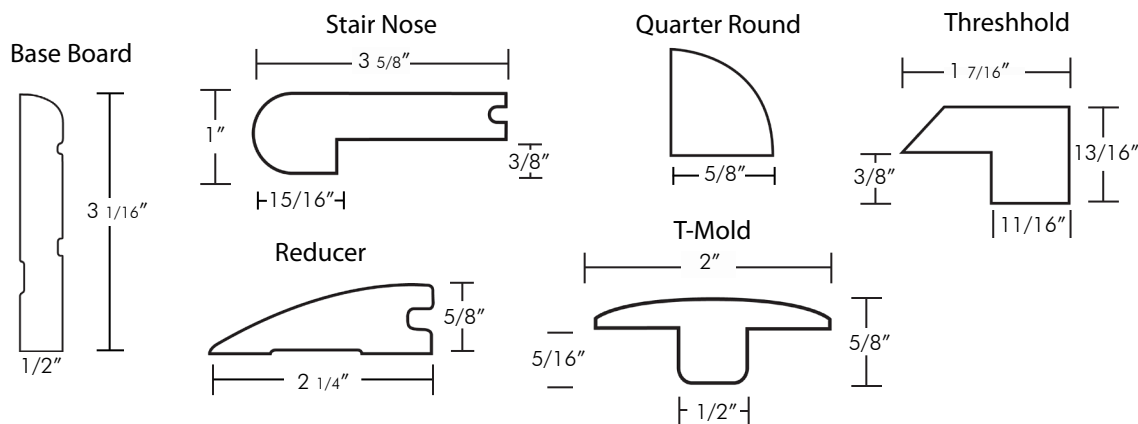
GENERAL INFORMATION

- 25 year Residential Warranty
- 10 year Commercial Finish Warranty
- Lifetime Structural Warranty
- Pre finished with Klumpp Aluminum Oxide Finish
- Premium Select Grade

STAIR TREADS



TRIM OPTIONS



Care & Maintenance

- We recommend vacuuming or sweeping to remove dirt and grit prior cleaning the floor.
- Never use wax, oil, soap, scouring pads, or other household cleaners on your floor.
- Damp mop (not wet mop!) with clean water, or with a wood floor cleaner.
- Wipe dry immediately until no moisture is visible on the floor.
- We recommend the eCloth Mop Set (microfiber) for superior cleaning with water only.

Dealer
Information



info@greenmakerindustries.com